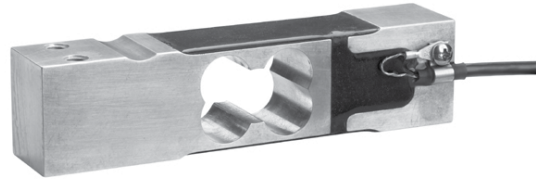


Low Profile Single-Point Load Cell

FEATURES

- Capacities 10–30 kg
- Aluminum construction
- Single-point 400 x 400 mm platform
- OIML R60 approved
- IP66 protection
- Available with metric and UNC threads
- **Optional**
 - EEx ia IIC T4 hazardous area approval
 - High stiffness version available for dynamic weighing applications



APPLICATIONS

- Bench scales
- Counting scales
- Grocery scales

DESCRIPTION

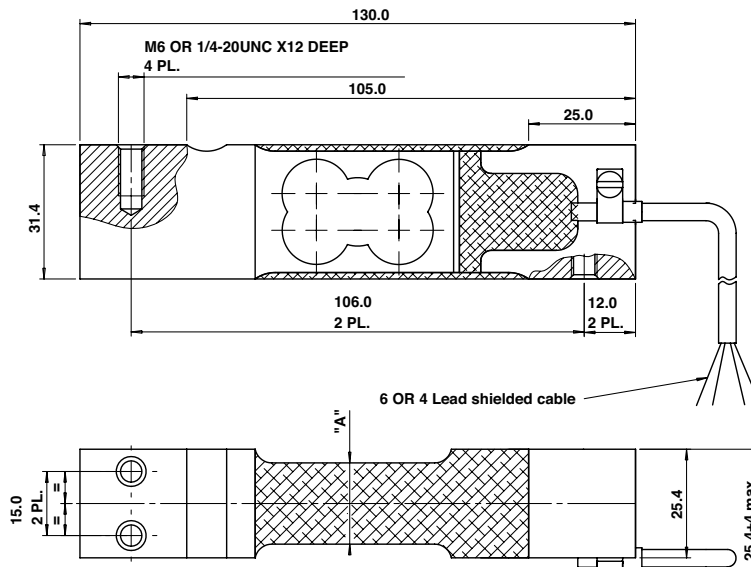
Model 1033 is a low profile single-point load cell designed for direct mounting of low cost weighing platforms.

Its small physical size, combined with high accuracy and low cost, makes this load cell ideally suited for retail, bench and counting scales.

A humidity resistant protective coating assures long term stability over the entire compensated temperature range.

The two additional sense wires feed back the voltage reaching the load cell. Complete compensation of changes in lead resistance due to temperature change and/or cable extension, is achieved by feeding this voltage into the appropriate electronics.

OUTLINE DIMENSIONS in millimeters



CAPACITY kg	"A"
10	19
20–30	25.2

Low Profile Single-Point Load Cell

SPECIFICATIONS				
PARAMETER	VALUE			UNIT
Rated capacity – R.C. (E_{max})	10, 15, 30			kg
OIML accuracy class	Non-Approved	C3 ⁽¹⁾	C6 ⁽²⁾	
Maximum no. of intervals (n)	1000	3000	6000	
$Y = E_{max}/V_{min}$	2000	10000	15000	Maximum available
Rated output – R.O.	2.0			mV/V
Rated output tolerance	0.2			±mV/V
Zero balance	0.2			±mV/V
Zero return, 30 min.	0.0300	0.0170	0.0083	±% of applied load
Total error	0.0500	0.0200	0.0100	±% of rated output
Temperature effect on zero	0.0100	0.0023	0.0014	±% of rated output/°C
Temperature effect on output	0.0030	0.0010	0.00058	±% of rated output/°C
Eccentric loading error	0.0057	0.0057	0.0024	±% of rated load/cm
Temperature range, compensated	-10 to +40			°C
Temperature range, safe	-20 to +70			°C
Maximum safe central overload	150			% of R.C.
Ultimate central overload	300			% of R.C.
Excitation, recommended	10			VDC or VAC RMS
Excitation, maximum	15			VDC or VAC RMS
Input impedance	415±15			Ω
Output impedance	350±3			Ω
Insulation resistance	>2000			MΩ
Cable length	0.5			m
Cable type	4-wire, PVC, single floating screen			Standard
Construction	Aluminum			
Environmental protection	IP66			
Platform size (max)	400 x 400			mm
Recommended torque	7.0			N*m

⁽¹⁾ 50% utilization

⁽²⁾ 60% utilization

All specifications subject to change without notice.

Wiring Schematic Diagram (Balanced temperature compensation)

